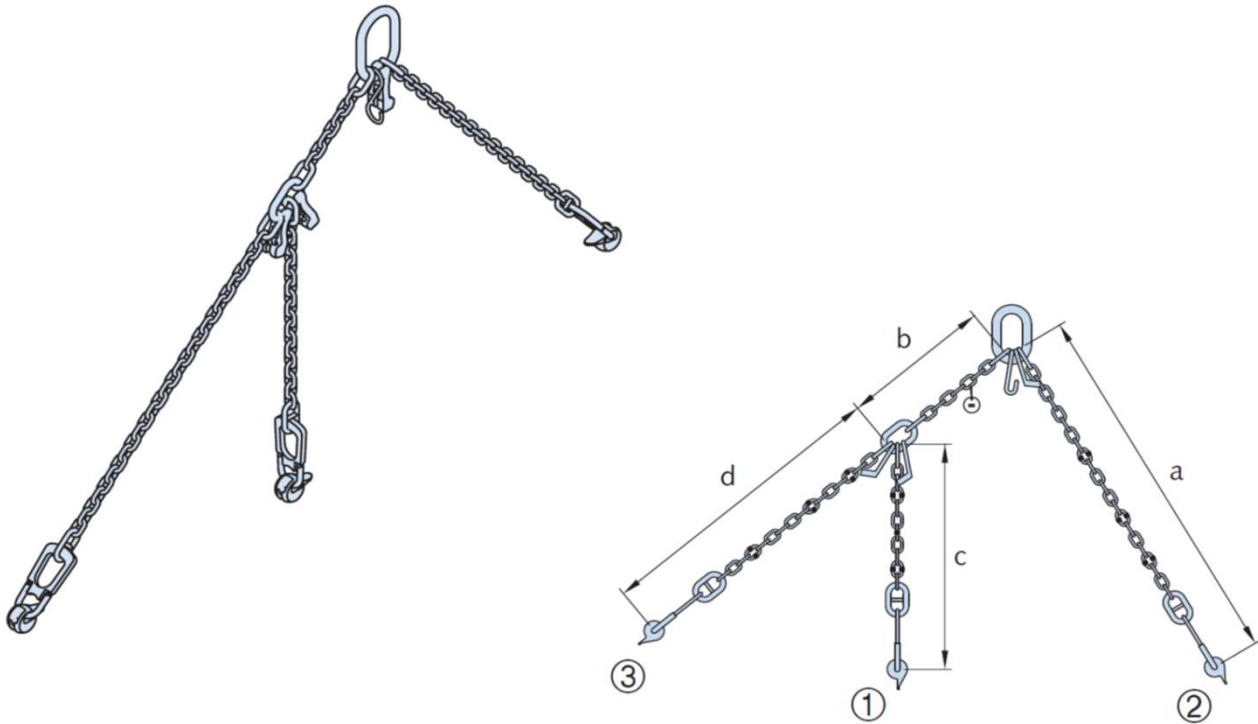


STARCON CHAINSLING USER GUIDE

for Concrete pipe lifting and pulling



Description	Load group	Pipe length (m)	a (mm)	b (mm)	c (mm)	d (mm)
Starcon - 1.5/2.5	2.5	up to 3,5	1972	433	1552	2602
Starcon - 3.0/5.0	4.0 - 5.0		1996	411	1567	2581
Starcon - 6.0/10.0	7.5 - 10.0		1986	440	1566	2586
Starcon - 12.0/20.0	15.0 - 20.0	from 2.5	1543	548	997	1933
		from 3.0	1723	548	1177	2269
		from 3.5	1957	548	1411	2659

